

Specsheet

Prowise Neo Lift Systems



Unlock the full potential of your touchscreen with the Prowise Neo Lift Systems. Designed with innovation, accessibility and durability in mind, the Prowise Neo Lift ensures that your touchscreen is effortlessly positioned at the desired height and location. Developed entirely in Europe, by Prowise, our lift systems are tested and certified to the latest and highest safety and sustainability standards.



Just the way you want it!

For ultimate flexibility, choose the Prowise Neo Mobile Lift so that you can not only adjust the height of the touchscreen, but also move it to a different location with ease. Prefer a fixed setup?

Then choose the Prowise Neo Wall Lift for your classroom to adjust the height of the screen to the personal needs of a teacher or pupil.



Our lift systems make your touchscreen solution more inclusive. They are ADA compliant, making them ideal for wheelchair users.

Prowise Neo Lift Systems

Mobile Lift

Position the touchscreen at the desired height and location.

- ✓ Conveniently operated via the foot pedals or Prowise Central on the touchscreen
- ✓ Suitable for touchscreens from 55" to 98"
- ✓ High quality double safety wheels
- ✓ Integrated cable chain, including power cable

Wall Lift

Position the touchscreen at the desired height, fixed in one location.

- ✓ Conveniently operated via the foot pedals or Prowise Central on the touchscreen
- ✓ Suitable for touchscreens from 55" to 98"
- ✓ Cables or obstacles on the wall? With our extension kit we can place the lift further away from the wall.
- ✓ Integrated cable chain, including power and internet cable

Safety first

The Prowise Neo Lift Systems have been designed from the start to be the safest. They undergo the most rigorous tests to ensure your and your pupils' safety.



Did you know that...

- ✔ ...we test our lifts on an inclined platform in the highest position with a 86" touchscreen, whiteboards and forces applied from the back and front?
- ✔ ...we test our lifts while adding 750 kg of weight for 24 hours?

The Prowise Neo Lift System can handle this with ease!



Innovative modular system

We have completely redesigned the concept of mounting. All our lift systems are made up of separate modules that can be combined to create a specific set up. Our modular approach has two big advantages:

- ✔ Reduced packaging dimensions, which means transport and storage space can be minimised with 60%. This reduces our carbon footprint and results in cost efficiency.
- ✔ Flexibility in terms of installation requirements: have the environmental conditions changed? We can change the configuration of the lift system to meet your needs.

Sustainability

We only use high quality materials. This makes the Prowise Neo Lift our most sustainable lift to date!

- ✔ Less than 5% plastic used in all our lift modules*
- ✔ 100% recycled packaging
- ✔ Packaging dimensions reduced by 60%
- ✔ Including a five-year warranty



< 5%



100%



60%



5 years

*Only in the wheel covers and cable chain, this is recycled plastic.

Compatible with your Prowise touchscreen

Our lift systems are fully integrated with Prowise Central, the operating system of your Prowise touchscreen. This means that you can operate the lift not only via the foot pedals, but also via the Prowise Central menu on your touchscreen.



Complete your solution

You can complete your solution with the following products and accessories:

Touchscreen

Prowise touchscreens: 100% customised to the needs of education. High in quality, low in price. Including a 7-year warranty.

Prowise Touchscreen Ultra

Our state-of-art touchscreen with an unbeatable writing sensation

- ✓ Including the latest technologies: PCAP and optical bonding
- ✓ Most natural writing experience
- ✓ Sleek and stylish design
- ✓ Large viewing angle

Prowise Touchscreen Ten G3

Our touchscreen with the best value for money

- ✓ Great ease of use because of IR technology and zero bonding
- ✓ Four pens included, to be used simultaneously
- ✓ Robust and elegant screen edge

Whiteboards

- ✓ Four-sided whiteboard
- ✓ Mounting via VESA brackets, fully integrated with the lift system
- ✓ High-quality protective enamel layer
- ✓ Magnetic
- ✓ 5 years warranty



Keyboard tray

- ✓ Storage space for:
 - Keyboard
 - Mouse
 - Remote control
 - Pens
- ✓ 5 years warranty



Ten G3 Ultra

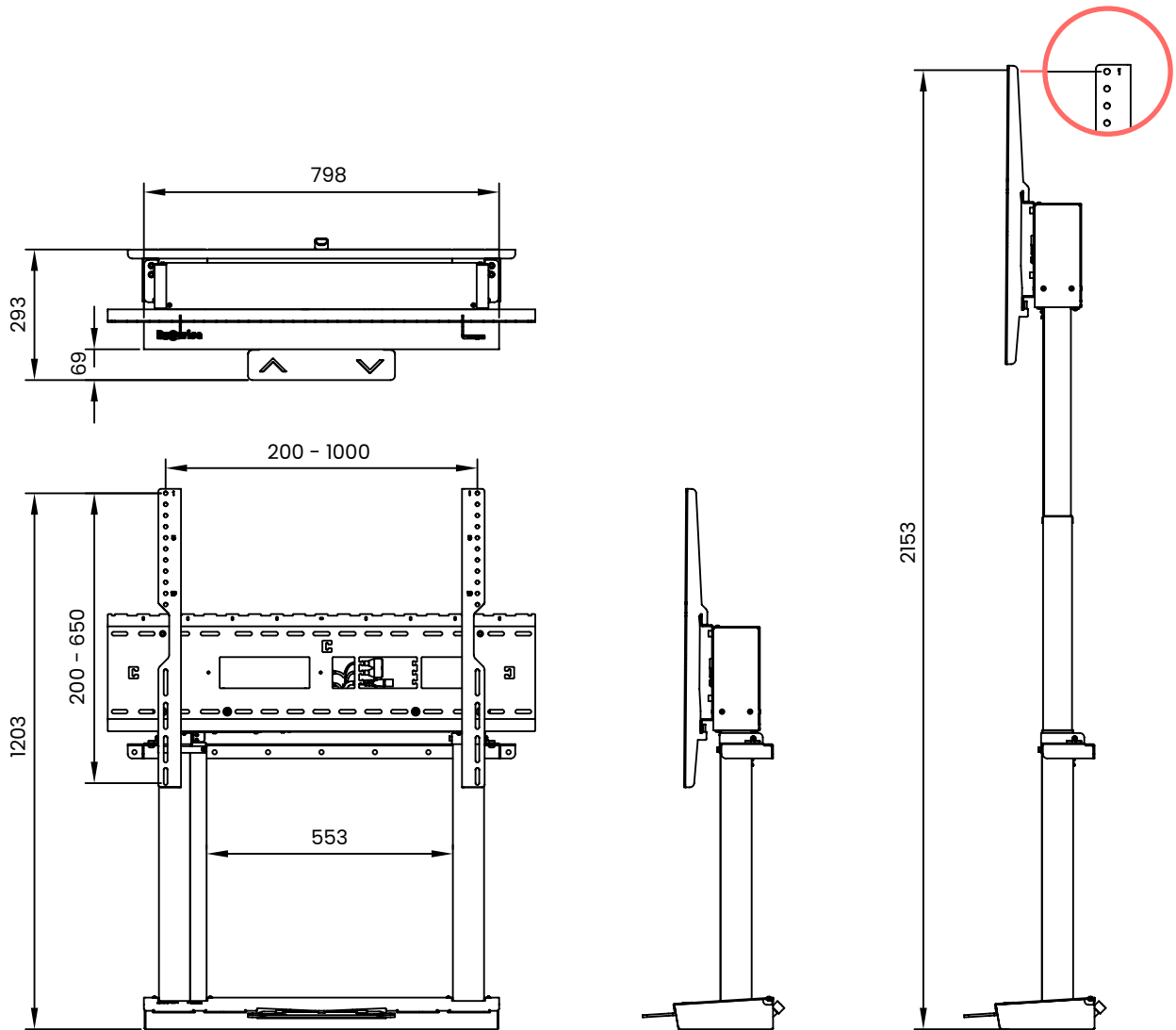
Technical specifications

PW.1.21001.00011, PW.1.21001.00012

	Prowise Neo Wall Lift	Prowise Neo Mobile Lift
Suitable for	All Prowise touchscreens, maximum dimensions VESA mount 400 x 400 up to 1000 x 600 mm	
Stroke length	950 mm	
Maximum load	150 kg	
Speed of the lift	35 mm/s loaded	
One plug solution	Yes, 230V connection for touchscreen available in lift Integrated cable chain, including power and internet cable	Yes, 230V connection for touchscreen available in lift Integrated cable chain, including power cable
Power	100-240V AC 50-60Hz (universal)	
Stand-by power consumption	1 Watt	
Duty cycle columns	10% - 2 minutes of uninterrupted operation at full load followed by a break of 18 minutes	
Soft-start and soft-stop	Yes	
Collision detection	Yes, sensor in lift detects shocks	
Noise level	Low < 55 dB (A)	
Protection against overload (EOP)	Yes	
Material	Steel	
Colour	RAL 9005 and RAL 7015	
Keyboard storage (option)	Yes, with the Prowise iPro Keyboard Tray	
Foot control	Yes	
Touchscreen control via Prowise Central	Yes, with included USB cable	
Certifications	CE, GS	
Warranty	5 year	
Dimensions ground surface (WxDxH)	Main Module 797 x 292 x 932 mm Wall Bracket Module 870 x 120 x 57 mm	Main Module 797 x 292 x 932 mm Mobile Wheel Base 960 x 786 x 1001 mm
Gross weight	Main Module 52.9 kg Wall Bracket Module 2.0 kg	Main Module 52.9 kg Mobile Wheel Base 18.9 kg (excl. counter weight)
Net weight	Main Module 47.4 kg Wall Bracket Module 1.6 kg	Main Module 47.4 kg Mobile Wheel Base 16.3 kg (excl counter weight)
Dimensions of the total packaging (WxDxH)	Main Module 1010 x 240 x 970 mm / Wall Bracket Module 912 x 138 x 50 mm	Main Module 1010 x 240 x 970 mm Mobile Wheel Base 995 x 175 x 830 mm

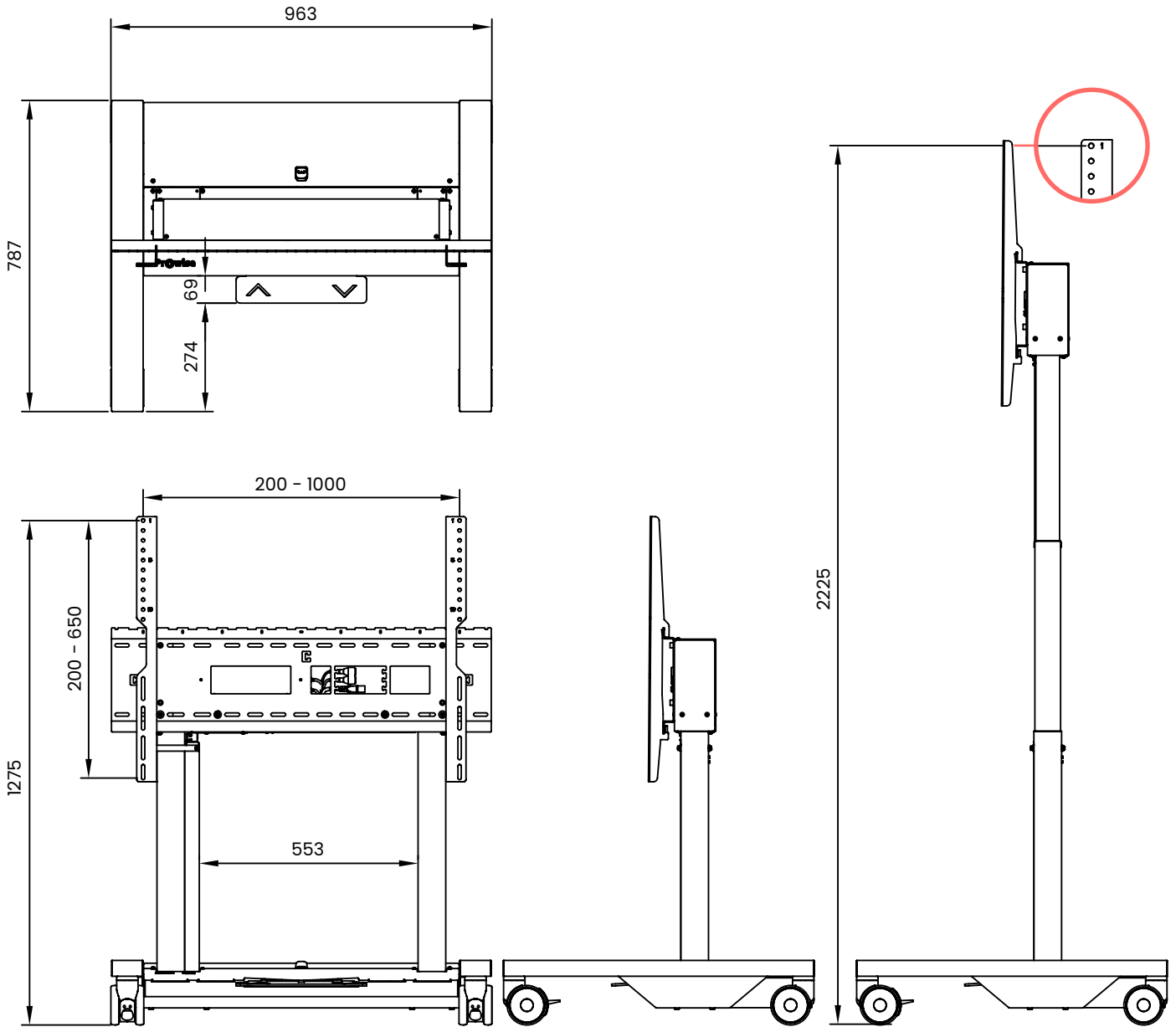
Dimensions Wall Lift

All dimensions are in millimeters



Dimensions Mobile Lift

All dimensions are in millimeters



Neo Wall Extension Kit

If your Prowise Neo Wall Lift needs to be mounted further away from the wall, our wall extension kits can help. Often more space is needed if you want to mount your wall lift in a position where there's a cable duct on the wall or floor. Within the range of Prowise Neo Lift Systems, we can solve this.



Complete Kit

If there is a cable duct running over the wall, or if there are other reasons why the Prowise Neo Wall Lift needs to be placed further away from the wall, the Wall Extension Kit - Complete is the right choice. This kit consists of:

- ✔ **Wall Extension Top Bracket**
This will place your Prowise Neo Wall Lift 75 mm away from the wall.
- ✔ **Wall Extension Bottom**
This bottom piece will fill up the gap on the floor (between the lift and the wall).

Top Bracket

If there is a cable duct above the floor and the Neo Wall Lift needs to be placed further away from the wall, the Wall Extension Kit - Top Bracket can be used. The extension kit places your lift 75 mm away from the wall. The gap to the wall is then covered by the cable duct.

Technical specifications

PW.1.21001.0005, PW.1.21001.0007

	Complete	Top Bracket
Suitable for	Prowise Neo Wall Lift	
Certifications	CE (certified in combination with lift)	
Warranty	5 year	
Gross weight	5.1 kg / 11.24 lbs	2.0 kg / 4.40 lbs
Net weight	4.5. kg / 9.92 lbs	1.7 kg / 3.7 lbs
Dimensions package (WxDxH)	950 x 200 x 90 mm / 37,4 x 7.9 x 3.5 Inch	910 x 200 x 40 mm / 35.8 x 7.9 x 1.6 Inch

Dimensions Wall Lift + Extension kit

All dimensions are in millimeters

